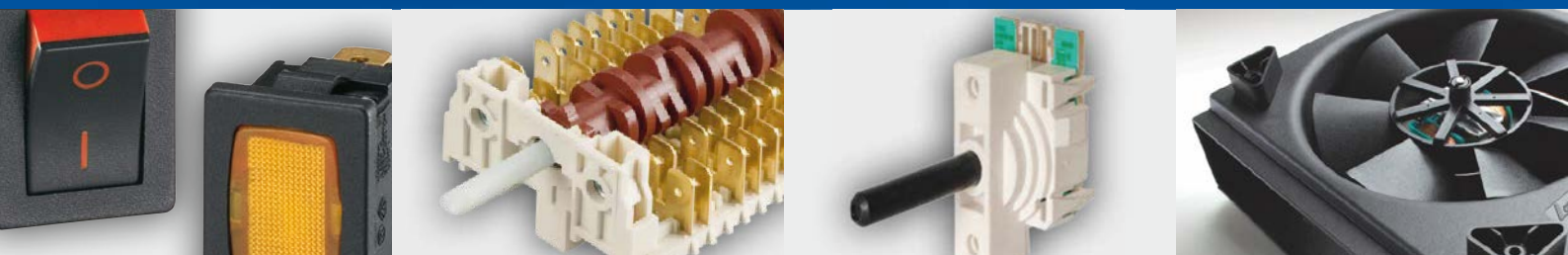


# 30 **CVEREL**

THE WORLD IN A CLICK



## POWER CONNECTORS



**Dreefs**

 **SIGNAL LUX**

**givem**

**MOLVENO**

 **KAUTT & BUX**

# Power Connectors

06



**STS**

226

---



**SFS**

226

---



**SST**

227

---



**SW**

228

---



**STF**

230

---



**SFO**

231

---



**SCM81**

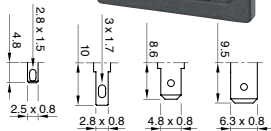
231

---

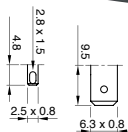
# STS

10 A / 250 VAC EN 60320 10 A / 250 VAC 15 A / 125 VAC UL 498

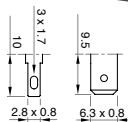
**STS3**  
C14  
Class I  
T 70 °C



**STS5**  
C16  
Class I  
T 120 °C



**STS2**  
C18  
Class II  
T 70 °C



**TYPICAL APPLICATIONS** Coffee machine, appliance inlet for cold/warm conditions with/without earthing contact, for "snap in" fastening

**WIRING DIAGRAMAS** ■ 2-pole ■ 2-pole + earth

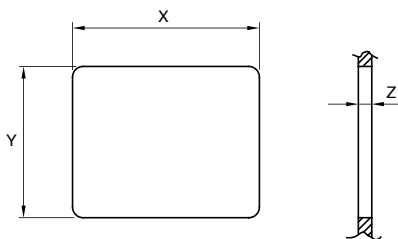
**CUT OUT** 27x20 mm

**GWT** 850 °C

**GWT NO FLAME (<2sec)** 750 °C on demand

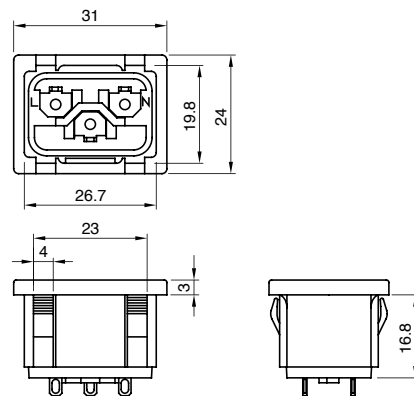


## CUT OUT



Z	X	Y
1 ... 1,8	27	20,0 +0,2
1,8 ... 3,0	27	20,2 +0,2

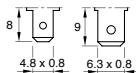
## DRAWING



# SFS

10 A / 250 VAC EN 60320 10 A / 250 VAC 15 A / 125 VAC UL 498

**SFS2**  
H  
Class II  
T 70 °C



**SFS3**  
F  
Class I  
T 70 °C



**TYPICAL APPLICATIONS** Small appliances, appliance outlet for cold conditions with/without earthing contact, for "snap in" fastening

**WIRING DIAGRAMAS** ■ 2-pole ■ 2-pole + earth

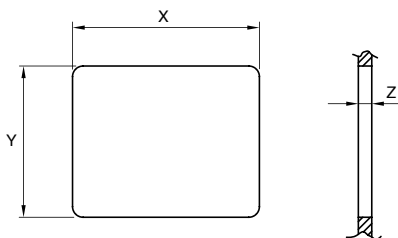
**CUT OUT** 32x25 mm

**GWT** 850 °C

**GWT NO FLAME (<2sec)** 750 °C on demand

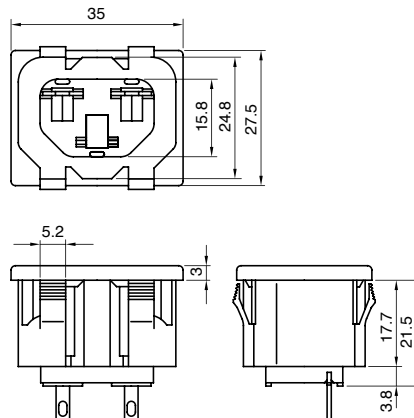


## CUT OUT



Z	X	Y
1 ... 1,8	32,5	25,0 +0,2
1,9 ... 3,0	32,5	25,2 +0,2

## DRAWING



10 A / 250 VAC EN 60320 10 A / 250 VAC UL 498

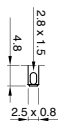
<b>TYPICAL APPLICATIONS</b>	Small appliances, appliance inlet for cold conditions with/without earthing contact and 1 fuse-holder
<b>WIRING DIAGRAMAS</b>	<ul style="list-style-type: none"> <li>■ 2-pole with fuse-holder</li> <li>■ 2-pole + earth with fuse-holder</li> </ul>
<b>CUT OUT</b>	31x27 mm
<b>GWFI</b>	850 °C
<b>GWIT</b>	750 °C on demand



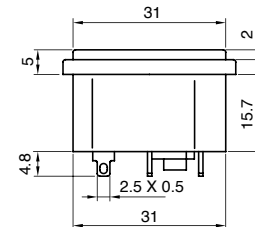
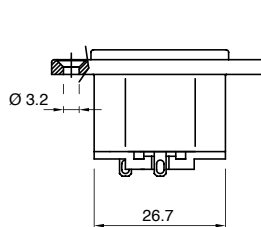
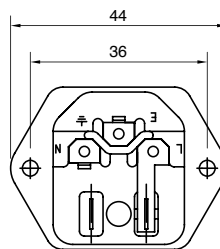
## CUT OUT

## DRAWING

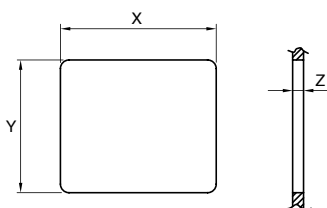
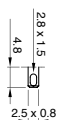
**SST...**  
C14  
Class I  
T 70 °C



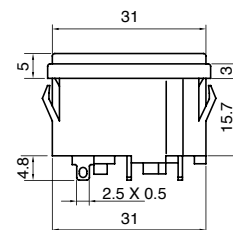
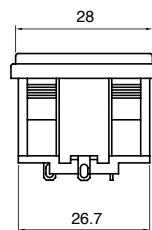
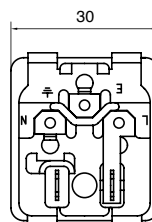
Mounting hole 90° countersink



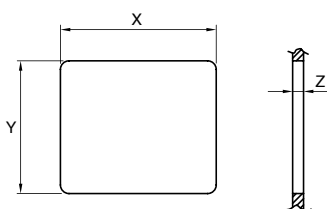
**SST...**  
C14  
Class I  
T 70 °C



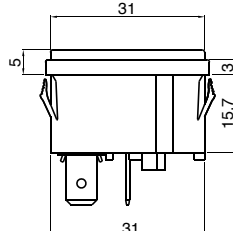
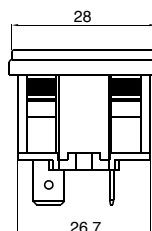
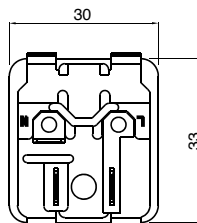
Z	X	Y
1 ... 1,8	31,3 ... 31,5	27,0 +0,2
1,9 ... 3,2	31,5 ... 31,7	27,0 +0,2



**SST...**  
C18  
Class II  
T 70 °C



Z	X	Y
1 ... 1,8	31,3 ... 31,5	27,0 +0,2
1,9 ... 3,2	31,5 ... 31,7	27,0 +0,2



# SW

**10 A / 250 VAC** EN 60320    **6 A / 250 VAC** UL 498  
 Fuse max 6.3 A 250 VAC

<b>TYPICAL APPLICATIONS</b>	Small appliances, appliance inlet for cold conditions with earthing contact, 1 or 2 fuse-holders For voltage selector
<b>WIRING DIAGRAMAS</b>	■ 2-pole + earth with fuse-holder slots
<b>CUT OUT</b>	56x28 mm
<b>GWT</b>	850 °C
<b>GWT NO FLAME (&lt;2sec)</b>	750 °C on demand

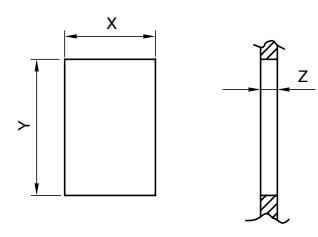


**SW.**  
 C14  
 Class I  
 T 70 °C



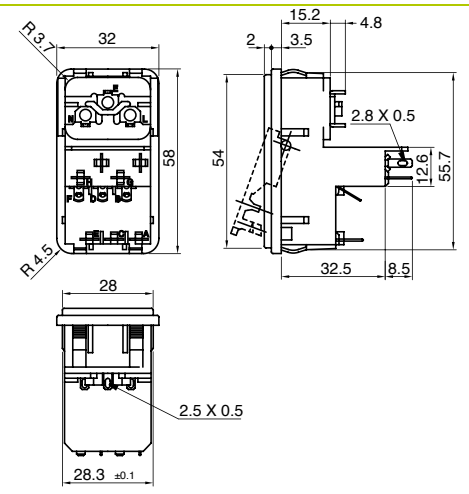
TC 2.8 x 1.5

### CUT OUT



Z	X	Y
0,8 ... 2,0	55,9 ... 56,1	28,5 ... 28,7
2,1 ... 3,2	56,2 ... 56,4	28,5 ... 28,7

### DRAWING

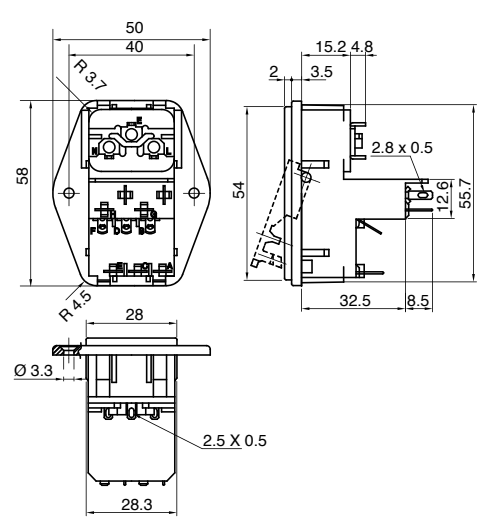


**SW5.**  
 C14  
 Class I  
 T 70 °C



TC 2.8 x 1.5

Mounting hole 90° countersink



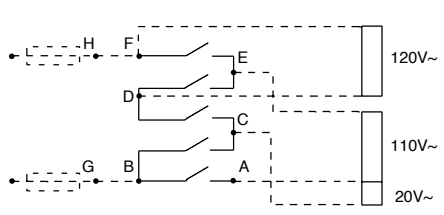
## ACTUATING DEVICE FOR VOLTAGE SELECTOR

Accessories available for SW. and SW5.

**SW950A1**



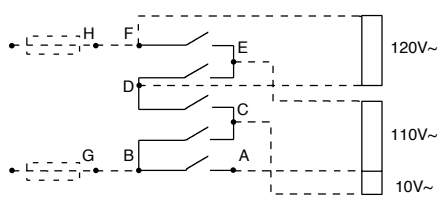
↔	100V~	120V~	220V~	240V~
F - E	↔	↔	↔	↔
D - E	↔	↔	↔	↔
D - C	↔	↔	↔	↔
B - C	↔	↔	↔	↔
B - A	↔	↔	↔	↔



**SW966A1**



↔	100V~	120V~	230V~	240V~
F - E	↔	↔	↔	↔
D - E	↔	↔	↔	↔
D - C	↔	↔	↔	↔
B - C	↔	↔	↔	↔
B - A	↔	↔	↔	↔



10 A / 250 VAC 6 A / 250 VAC  
 EN 60320 UL 498

Fuse max 6.3 A 250 VAC

**TYPICAL APPLICATIONS**

Small appliances, appliance inlet for cold conditions with earthing contact, 1 or 2 fuse holders With cut out for switch

**WIRING DIAGRAMAS**

■ 2-pole + earth with fuse-holder slots

**CUT OUT**

56x28 mm

**GWT**

850 °C

**GWT NO FLAME (<2sec)**

750 °C on demand



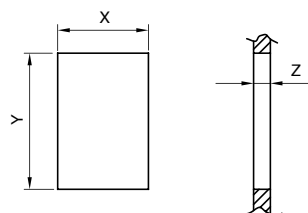
**SW10.**

C14  
 Class I  
 T 70 °C



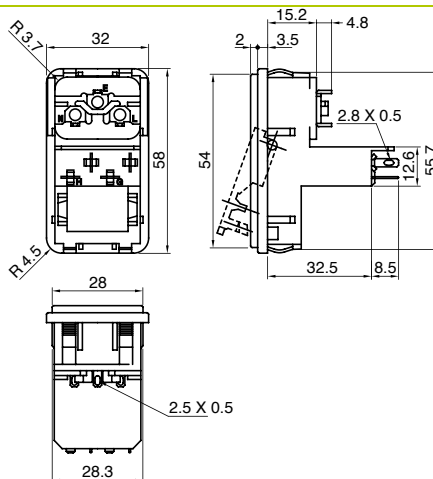
2.8 x 1.5

**CUT OUT**



Z	X	Y
0,8 ... 2,0	55,9 ... 56,1	28,5 ... 28,7
2,1 ... 3,2	56,2 ... 56,4	28,5 ... 28,7

**DRAWING**



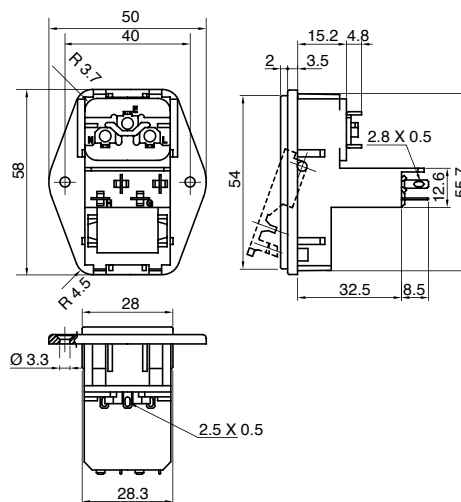
**SW15.**

C14  
 Class I  
 T 70 °C



2.8 x 1.5

Mounting hole 90° countersink



**FUSE-HOLDERS**

Accessories available for the whole SW series



**SW900A1**

USA fuse-holders  
 Fuse-holders dimensions: 6.3 x 32 mm



**SW900A1**

European fuse-holders  
 Fuse-holders dimensions: 5 x 20 mm  
 Fuse max 6.3 A 250 VAC

# STF

**10 A / 250 VAC** EN 60320  
 10 A / 250 VAC  
 15 A / 125 VAC  
 UL 498

<b>TYPICAL APPLICATIONS</b>	Ironing systems, appliance inlet for cold/warm conditions with earthing contact, mounting hole with 90° countersink
<b>WIRING DIAGRAMAS</b>	2-pole + earth
<b>CUT OUT</b>	screw fixing
<b>GWT</b>	850 °C
<b>GWT NO FLAME (&lt;2sec)</b>	750 °C on demand



## CUT OUT

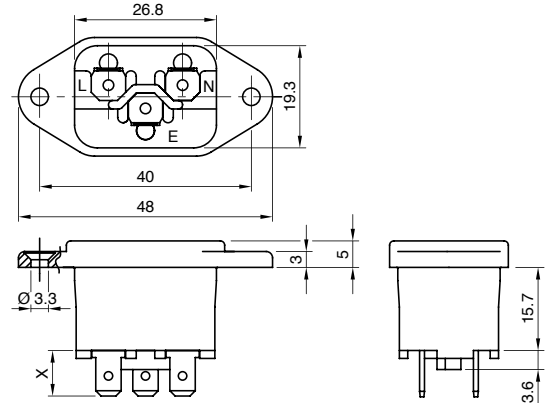
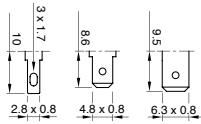
## DRAWING

### STF...

C14  
 Class I  
 T 70 °C



Mounting hole 90° countersink  
 On small side

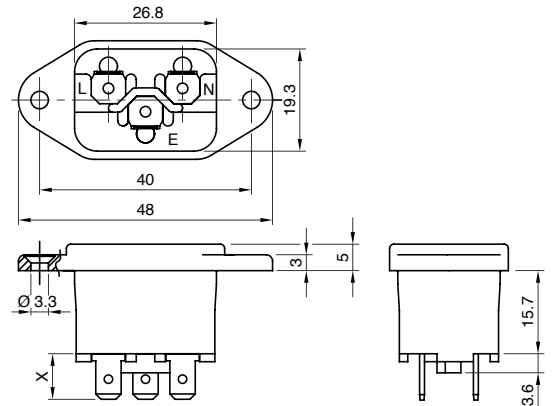
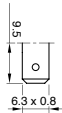


### STF...

C16  
 Class I  
 T 120 °C



Mounting hole 90° countersink  
 On small side

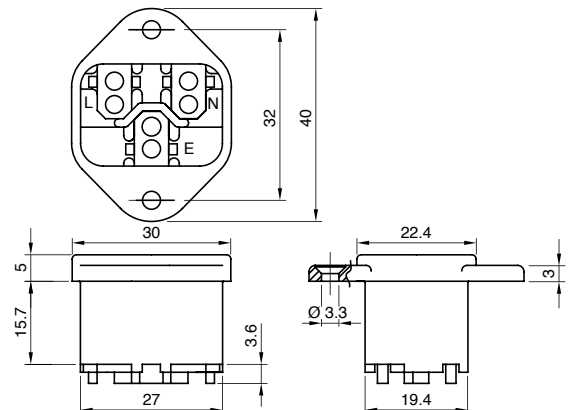
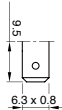


### STF...

C16  
 Class I  
 T 120 °C



Mounting hole 90° countersink  
 On large side





# SFO

10 A / 250 VAC  
EN 60320

10 A / 250 VAC  
15 A / 125 VAC  
UL 498

<b>TYPICAL APPLICATIONS</b>	Computer and peripherals, connector for cold/warm conditions with earthing contact, rewirable
<b>WIRING DIAGRAMAS</b>	Power inlet connector 2-pole + earth
<b>CUT OUT</b>	With electric wire
<b>GWT</b>	850 °C
<b>GWT NO FLAME (&lt;2sec)</b>	750 °C on demand



## SFO 430

C13  
Class I  
T 70 °C



Screw terminals

## SFO 440

C13  
Class I  
T 70 °C



Screw terminals

## SFO 550

C15  
Class I  
T 120 °C



Screw terminals

# SCM81

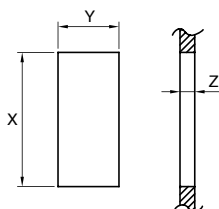
10 A / 250 VAC  
CEI 23-50 - II Ed. 2007  
+V1:2008 +V2:2011

<b>TYPICAL APPLICATIONS</b>	Bathroom furniture
<b>WIRING DIAGRAMAS</b>	<ul style="list-style-type: none"> <li>■ Italian 2-pole</li> <li>■ Italian 2-pole + earth</li> </ul>
<b>CUT OUT</b>	27x12 mm
<b>GWT</b>	850 °C
<b>GWT NO FLAME (&lt;2sec)</b>	750 °C on demand

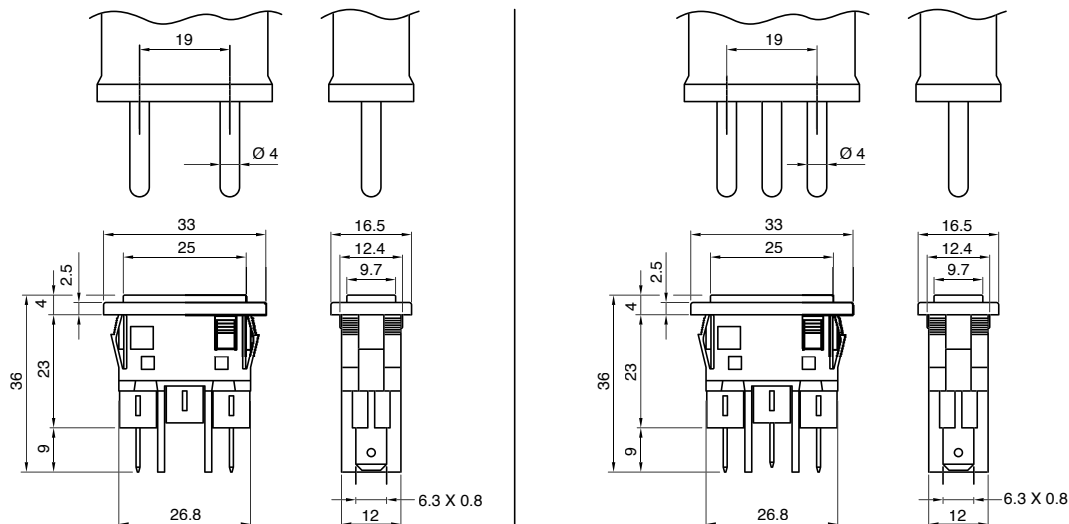


## CUT OUT

## DRAWING



Z	X	Y
0,75 ... 1,25	12,4	$27,3^{+0,0}_{-0,1}$
1,25 ... 2,0	12,4	$27,5^{+0,0}_{-0,1}$
2,0 ... 3,0	12,4	$27,9^{+0,0}_{-0,2}$
3,0 ... 4,0	12,4	$28,1^{+0,0}_{-0,2}$





- Headquarter
- Production Site
- Sales Network



**Everel Group S.P.A.**

[Headquarter - Production Site]  
Via Cavour, 9  
37067 Valeggio sul Mincio (VR) - Italy  
tel. +39 045 6313711  
fax +39 045 6313730

**Dreefs GmbH**

[Production Site]  
Ernst-Dreefs-Straße 7  
96364 Marktrodach - Germany  
tel. +49 9261 9610  
fax +49 9261 961248

**Everel Romania S.r.l.**

[Production Site]  
Calea Timisorii 109  
Lipova - Arad - Romania  
tel. +40 257 563087  
fax +40 257 563086

[www.everelgroup.com](http://www.everelgroup.com)

